



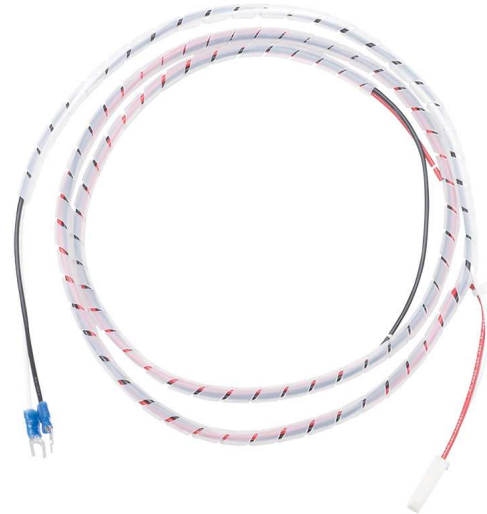
model VRKHO2

Sensor Cable

FEATURES & BENEFITS

OPTIONS

For more information, visit www.hawSCO.com or call (888) 640-4297.



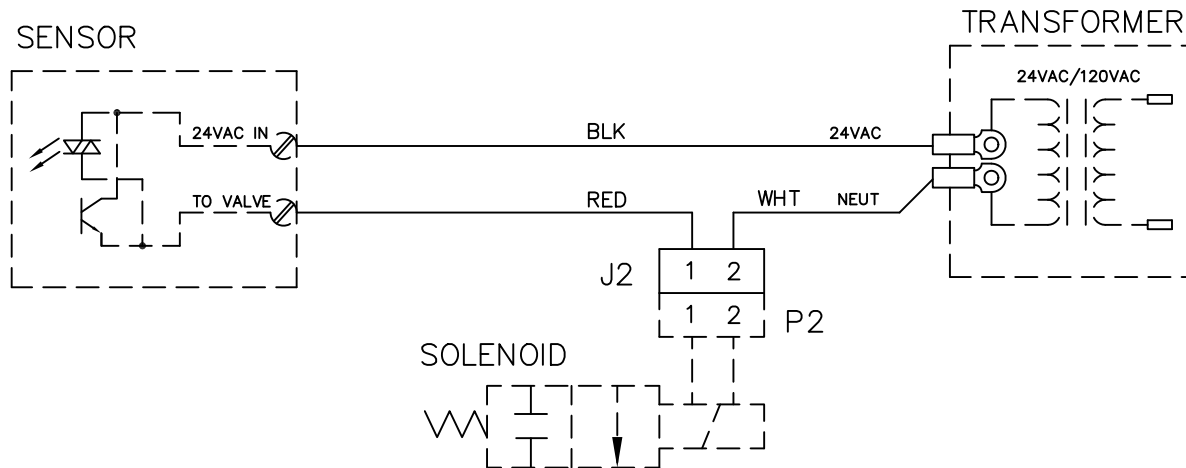
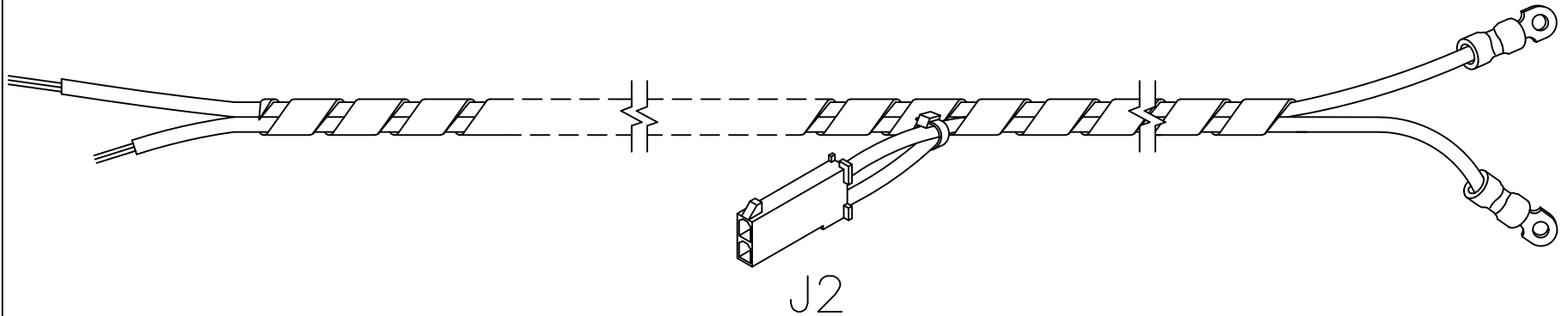
SPECIFICATIONS

Model VRKHO2 is a cable repair kit for HO "Hands-Off" electric water coolers.

APPLICATIONS

This drawing shall not be reproduced without the written permission of HAWS.

ITEM	QTY	DESCRIPTION	MATERIAL	CODE NUMBER
------	-----	-------------	----------	-------------



WIRING DIAGRAM REF

Haws		P.O. BOX 1999 BERKELEY, CA. 94701	SOLOTHURNSTRASSE 24g 3422 KIRCHBERG/BERN SWITZERLAND	
DRAWN BY G. EXLINE	DATE 5 /11 /94	CHECK BY	APP'D BY	SCALE 1/1
TITLE 24VAC H.O. CABLE ASSEMBLY			PART NUMBER 0002080408	
DRAWING TYPE INSTALLATION		CAD STATION CAD2	DRAWING NUMBER 11394C00	REV. 1