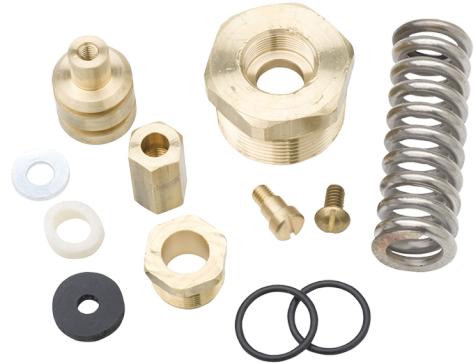


FEATURES & BENEFITS

OPTIONS

For more information, visit www.hawsc.com or call (888) 640-4297.



SPECIFICATIONS

Model VRKM81A is a repair kit for Model MK81A special freeze-proof valve.

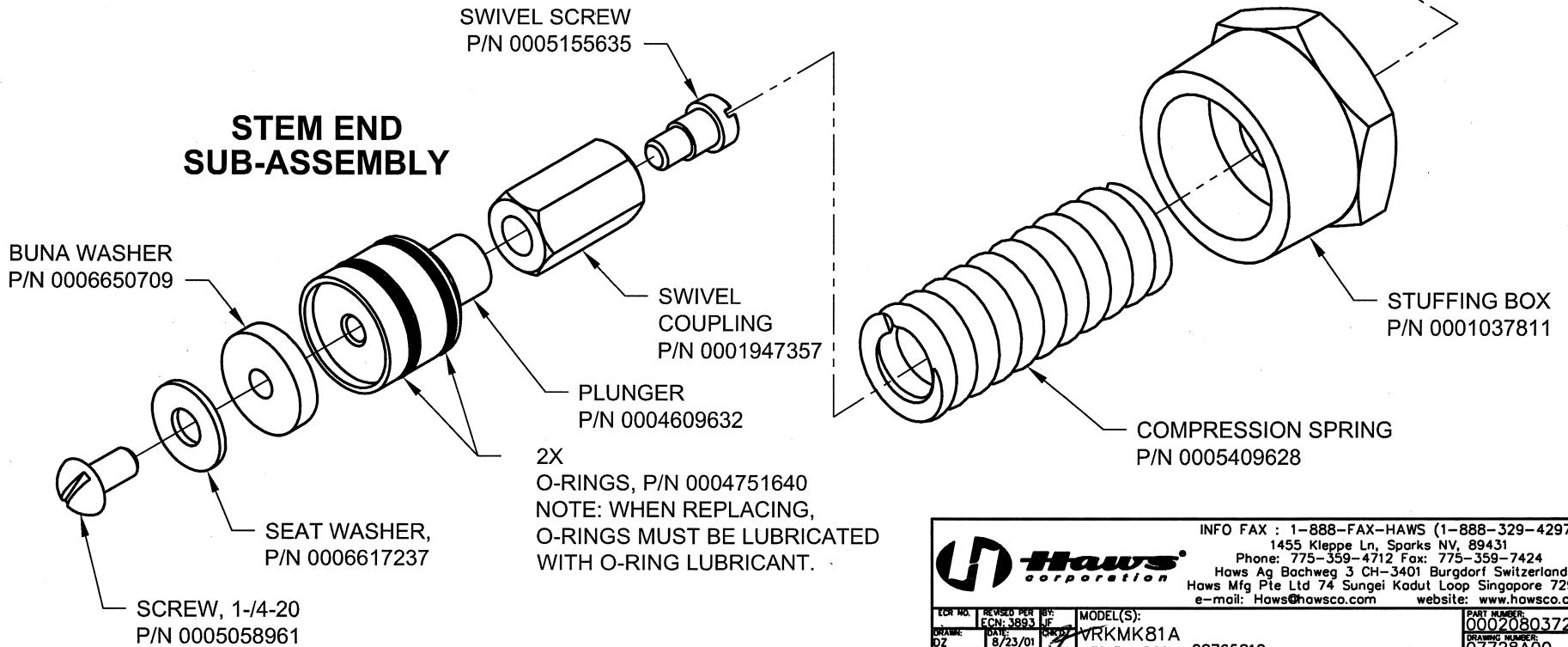
APPLICATIONS

ATTENTION INSTALLER:

PLEASE COMPARE THE BRASS SPOOLS. IF THE TOP O-RING GROOVE OF THE NEW SPOOL IS ROUGHLY 1/16" LOWER THAN THE TOP O-RING GROOVE OF THE OLD SPOOL, USE YOUR OLD SPOOL, BUT REPLACE THE O-RINGS AND THE SEAT WASHER WITH THE NEW PARTS FROM THE NEW SPOOL. IF YOUR OLD SPOOL MATCHES THE NEW SPOOL, REPLACE THE COMPLETE ASSEMBLY.

INSTALLATION INSTRUCTIONS

1. SHUT OFF WATER SUPPLY.
2. DISCONNECT LINKAGE ASSEMBLY FROM TOP OF OLD STEM ASSEMBLY.
3. REMOVE STUFFING BOX.
4. REMOVE OLD STEM END SUB-ASSEMBLY.
5. EXAMINE SEAT AREA OF UNDERGROUND VALVE BODY FOR DAMAGE OR DEBRIS.
6. TURN ON WATER AND FLUSH IF DEBRIS FOUND.
7. REPLACE STEM END SUB-ASSEMBLY.
8. REINSTALL STEM END SUB-ASSEMBLY WITH NEW SPRING, STUFFING BOX, FELT RING AND PACKING NUT.
9. RECONNECT LINKAGE ASSEMBLY.
10. TURN ON WATER SUPPLY.
11. TEST UNIT.



		INFO FAX : 1-888-FAX-HAWS (1-888-329-4297) 1455 Kleppe Ln, Sparks NV, 89431 Phone: 775-359-4712 Fax: 775-359-7424 Haws Ag Bachweg 3 CH-3401 Burgdorf Switzerland Haws Mfg Pte Ltd 74 Sungei Kadut Loop Singapore 729531 e-mail: Haws@hawsco.com website: www.hawsco.com	
ECR NO. ECN: 3893	REVISED PER: JF DATE: 8/23/01	MODEL(S): VRKMK81A	PART NUMBER: 0002080372
DRAWN: 07	APPROVED: [Signature]	INFO FAX DOC #: 28765812 SCALE: 1:2	DRAWING NUMBER: 07728A00
©2006 Haws Corporation - All Rights Reserved		HAWS® and other trademarks used in these materials are the exclusive property of Haws Corporation.	