



**IMPORTANT:**

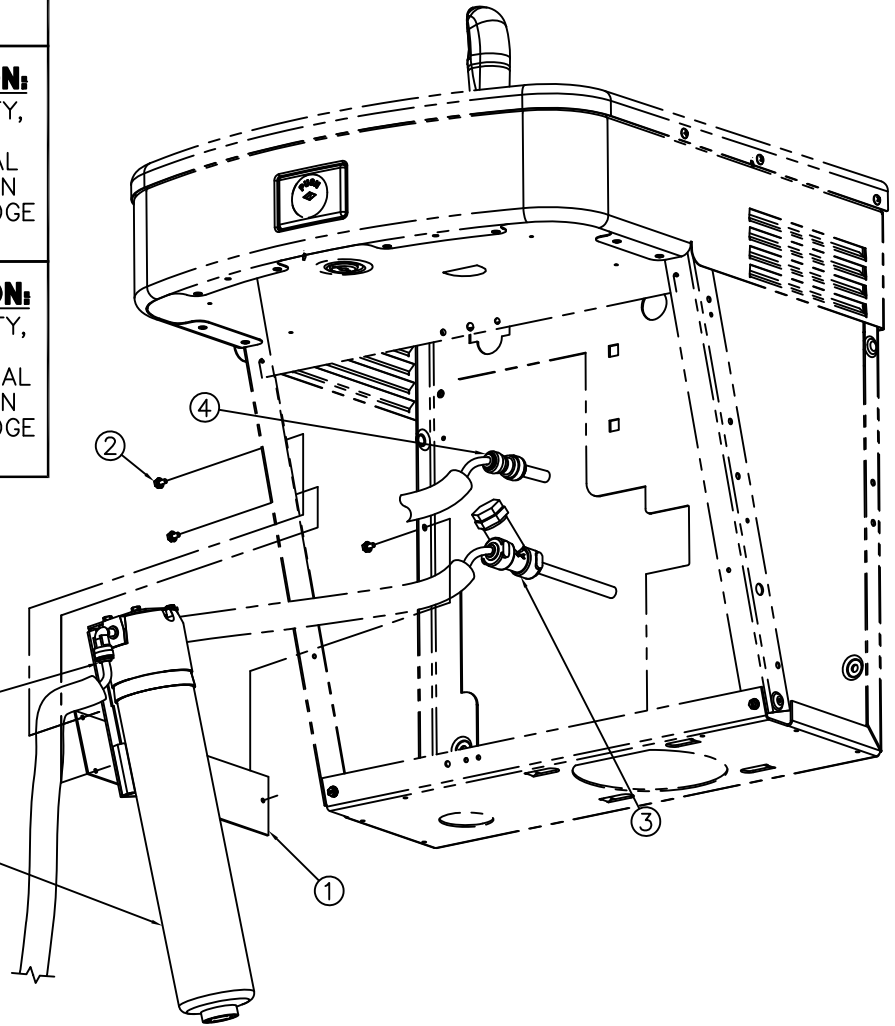
FLUSH 5 GALLONS OF WATER THROUGH THE FILTER BEFORE USE!

**-WF1 FILTER CARTRIDGE INSTALLATION:**

WATER FILTER HAS 1500 GALLON CAPACITY, CARTRIDGE WILL REQUIRE REPLACEMENT AFTER 50 HOURS OF ACTUAL OPERATIONAL USAGE. FREQUENCY OF FIXTURE OPERATION WILL DETERMINE TIME FRAME FOR CARTRIDGE REPLACEMENT.

**-WF3 FILTER CARTRIDGE INSTALLATION:**

WATER FILTER HAS 3000 GALLON CAPACITY, CARTRIDGE WILL REQUIRE REPLACEMENT AFTER 100 HOURS OF ACTUAL OPERATIONAL USAGE. FREQUENCY OF FIXTURE OPERATION WILL DETERMINE TIME FRAME FOR CARTRIDGE REPLACEMENT.



1/4" PUSH-IN OUTLET

- REPLACEMENT CARTRIDGE  
 -RWF1 PART # 7012-313-000  
 -RWF3 PART # 7012-318-000

**INSTALLATION INSTRUCTIONS:**

- A- REMOVE THE BOTTOM HOUSING AND TURN OFF UNIT WATER SUPPLY. IF UNIT IS A REFRIGERATED MODEL, DISCONNECT FROM THE POWER SUPPLY.
- B- PLACE FILTER/BRACKET ASSEMBLY ① ON INSIDE OF UNIT FRAME AND ALIGN HOLES IN THE BRACKET WITH THE HOLES OF THE UNIT FRAME.
- C- USE THE SCREWS ② PROVIDED TO PASS THRU THE FRAME CLEARANCE HOLES AND SCREW INTO THE BRACKET HOLES.
- D- FOLLOW PE TUBE FROM "Y" STRAINER ③ OR PUSH-IN UNION ④ TO WHERE IT CONNECTS TO THE EVAPORATOR. DISCONNECT TUBE FROM EVAPORATOR, CONNECT TO FILTER INLET PUSH-IN CONNECTION.
- E- CONNECT NEW PE TUBE PROVIDED WITH FILTER TO EVAPORATOR PUSH-IN INLET, WHERE TUBE WAS REMOVED.

- F- TURN ON WATER. CHECK FOR LEAKS.
- G- **IMPORTANT:** FLUSH 5 GALLONS OF WATER THRU THE FILTER BEFORE ALLOWING FIXTURE USE.
- H- IF REFRIGERATED UNIT, TURN ON POWER SUPPLY AND CHECK UNIT FOR PROPER OPERATION.
- I- RE-INSTALL BOTTOM HOUSING.

**NOTES:**

- 1- TO DISCONNECT THE TUBE FROM THE PUSH-IN FITTING PUSH-IN TUBE HOLD DOWN GRIPPER AND PULL TUBE OUT SLOWLY.
- 2- TO CONNECT PUSH-IN FITTINGS, PUSH TUBE IN ALL THE WAY TO MAKE A GOOD CONNECTION. CARTRIDGE REPLACEMENT.

<p>MURDOCK-SUPER SECUR                  P.O. Box 3527 Industry, CA 91744                  15125 Proctor Ave Industry, CA 91746                  Phone: (800) 591-9880                  www.murdock-supersecur.com</p>	<p><b>TITLE</b>      <b>INSTALLATION OF OPTIONAL -WF1 1500 &amp; -WF3 3000 GALLON WATER FILTER</b></p>		
	<p><b>MANUFACTURE DATE</b></p> <p><b>JANUARY 2007</b> <b>TO PRESENT</b></p>	<p><b>DATE ISSUED</b></p> <p><b>06/13/07</b></p> <hr/> <p><b>DATE REVISED</b></p> <p><b>05/20/22    C</b></p>	<p><b>DRAWING NUMBER</b></p> <p><b>9938-396-001</b></p>