



# WATER COOLERS

## A171.8FGVR Series

**MODEL A171408S-FG-VR**  
 BARRIER FREE, 14 GAGE STAINLESS STEEL,  
 ENHANCED VANDAL RESISTANCE, WALL  
 MOUNTED WATER COOLER

### STANDARD FEATURES

- Child or Adult ADA Compliant (when properly installed)
- 14 gage 304 Stainless Steel Apron, Basin and Access Panels
- Polished Stainless Steel, Anti-Rotation, Non-Squirt Bubbler
- 100-Mesh Inlet Strainer
- Vandal Resistant Screws and Screened Louvers
- Hanging Bracket provided
- Auto-Stop allows service of Cartridge and Strainer without shutting off water supply

### SUGGESTED SPECIFICATIONS

Model A171408S-FG-VR is a self-contained, vandal resistant, pressure Water Cooler that shall deliver a minimum of **8.0 GPH** (30.3 LPH) of water at 50°F (10°C) cooled from 80°F (26.7°C) inlet water and 90°F (32.2°C) ambient. Unit shall be activated by Chrome Plated Brass Pushbutton using less than 5 pounds of force. Bubbler shall be Lead-Free Stainless Steel with an integrally designed non-squirt feature and operate on a pressure range of 20-105 PSIG. **Unit shall be constructed from 14 gage, 304 Stainless Steel** with an Integral Drain and the Louvers shall have a Stainless Steel protective screen. Cooling system shall use R-134a refrigerant and be Capillary Tube controlled. An Adjustable Thermostat with an off position shall control the refrigeration system. Fountain is certified to ANSI A117.1, Public Law 111-380 (NO-LEAD), CHSC 116875 and NSF/ANSI 61, Section 9. Fixture meets ADA, ADA Standing Person, and ADA Child requirements when mounted appropriately. Unit shall be listed by Underwriters Laboratories for both the US and Canada, compliant to the Air Conditioning and Refrigeration Institute Standard 1010.



Model A171408S-FG-VR Shown  
 PATENT# 10,100,933



**“RATED FOR INDOOR AND OUTDOOR USE”**

### MODEL:

(Must Specify)

- A171408S-FG-VR Satin Stainless Finish

### OPTIONS

(additional costs may be incurred)

- CSC2 Concealed Support Carrier
- WB1 Wall Bezel, Stainless Steel
- WF1 1500-Gallon Capacity, NSF 42+53, 1 micron Lead Reduction Filter
- 220V 220 volt / 50 Hz Compressor

Model Number	GPH*	Rated Watts	Full Load Amps	Approx. Shipping Weight
A171408S-FG-VR	8.0	335	4.4	85 lbs.

\* GPH of 50°F water at 90°F ambient room temperature and 80°F inlet water temperature  
 Compressor motor operates on 115 Volt / 60 Hz single phase.

Complies with the following standards:

Test rating conditions are compliant with ARI 1010.

Member of U.S. Green Building Council

**WARNING:** Cancer and Reproductive Harm - [www.P65Warnings.ca.gov](http://www.P65Warnings.ca.gov)

**MURDOCK MFG.** • 15125 Proctor Avenue • City of Industry, CA 91746 USA  
 Phone 800-453-7465 or 626-333-2543 • Fax 626-855-4860 • [www.murdockmfg.com](http://www.murdockmfg.com)

Member of **MORRIS GROUP INTERNATIONAL**

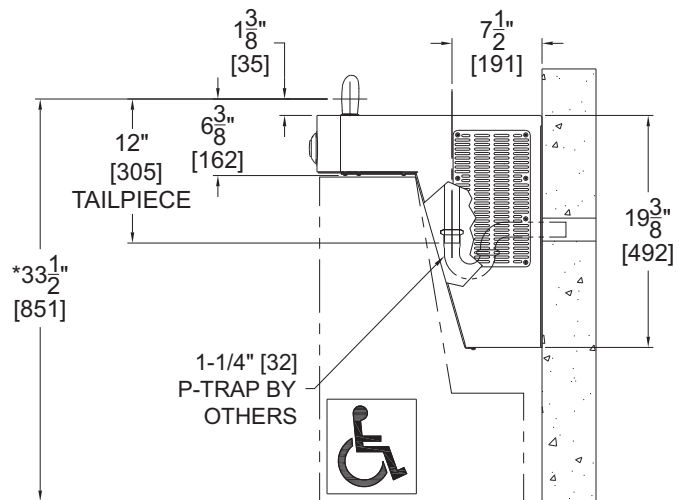
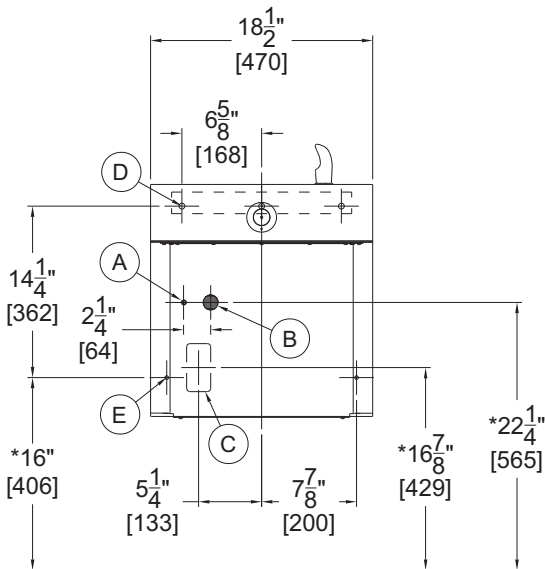
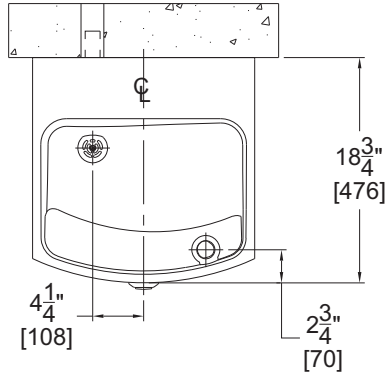


# WATER COOLERS

## A171.8-FG-VR Series

### MODEL A171408S-FG-VR

BARRIER FREE, 14 GAGE STAINLESS STEEL, ENHANCED VANDAL RESISTANCE, WALL MOUNTED WATER COOLER



- A. 3/8" NCT SUPPLY INLET
- B. WASTE OUTLET FOR 1-1/4" P-TRAP BY OTHERS.
- C. ELECTRICAL SERVICE ROUGH.
- D. Ø3/8" HANGER BRACKET PUNCHING, 3 PLACES FOR ANCHORING HARDWARE BY OTHERS.
- E. Ø1/4" PUNCHING, 2 PLACES FOR ANCHORING HARDWARE BY OTHERS.

**GENERAL NOTES:**

1. ALL DIMENSIONS ARE IN INCHES [MM]
2. ALLOW 4 INCHES [102 MM] MINIMUM CLEARANCE PER SIDE FOR VENTILATION
3. DIMENSIONS SHOWN ARE FOR ADA ADULT HEIGHT. ADJUST VERTICAL DIMENSIONS AS NECESSARY TO COMPLY WITH FEDERAL, STATE, & LOCAL CODES
4. STOP VALVE, P-TRAP, & ELECTRICAL OUTLET NOT SUPPLIED
5. IMPORTANT: COOLERS MUST BE ATTACHED TO WALL WITH APPROPRIATE ANCHOR SCREWS

Murdock Mfg.™ warrants that its products are free from defects in material or workmanship under normal use and service for a period of one year from date of shipment. Murdock's liability under this warranty shall be discharged solely by replacement or repair of defective material, provided Murdock™ is notified in writing within one year from date of shipment, F.O.B. Industry, California.

SELECTION SUMMARY & APPROVAL FOR MANUFACTURING	Model Number & Options _____	Quantity _____	All dimensions are subject to manufactures tolerance of plus or minus 1/2" nominal and subject to change without notice. Murdock assumes no responsibility for use of void or superseded data. Dimensions may change with the addition of optional accessories. Murdock Mfg.™, Member of Morris Group International™. Please visit <a href="http://www.murdockmfg.com">www.murdockmfg.com</a> for most current specifications.
	Company _____		
	Contact _____	Title _____	
	Signature (Approval for Manufacturing) _____	Date _____	

MURDOCK MFG. • 15125 Proctor Avenue • City of Industry, CA 91746 USA  
 Phone 800-453-7465 or 626-333-2543 • Fax 626-855-4860 • [www.murdockmfg.com](http://www.murdockmfg.com)

Member of MORRIS GROUP INTERNATIONAL