

BF15 Series

SURFACE MOUNT PUSHBUTTON
OPERATED BOTTLE FILLER

STANDARD FEATURES

- 100-Mesh Inlet Strainer
- Laminar Flow Water Supply
- 1.00 GPM Fill Rate
- Lead Free
- Fold Down Housing for easy Maintenance Access
- Universal Mounting Points for easy Retrofit Capability
- ADA Compliant when installed correctly. Refer to 2010 ADA Standards for Accessible Design for complete Installation Requirements particularly if located on an *Accessible Route* or *Circulation Path*. Compliance is subject to the Interpretation and Requirements of the Local Code Authority.

SUGGESTED SPECIFICATIONS

Model BF15 is a Surface Mount Pushbutton Operated Bottle Filler. Bottle Filling unit shall include Pushbutton operated activation. Bottle Filler shall provide approximately 1.00 GPM flow rate with a Laminar Flow Spout to minimize splashing. Housing has a slim and trim look that blends into your environment. Designed for Maintenance Advantage installation and service. Bottle Filler shall provide approximately 1.0 GPM flow rate with a Laminar Flow Spout to minimize splashing. Bottle Filler is fabricated of type 304 stainless steel polished to a satin finish with antimicrobial impact resistant ABS surfaces. Optional Water Filter meets NSF 42 and 53 requirements and reduces lead content in the drinking water by 99%. When installed properly, the Bottle Filler complies with ADA forward and side reach requirements. Unit shall be certified to Public Law 111-380 (NO-LEAD) and NSF/ANSI/CAN 61. Fixture meets ADA, ADA Standing Person, and ADA Child requirements when mounted appropriately.



“INDOOR USE ONLY”

MODEL:

(Must Specify)

- BF15 Surface Mounted Pushbutton Operated Bottle Filler

OPTIONS

(additional costs may be incurred)

- LOGO Customer Specified Logo / Graphics
- WF1 1500-gallon capacity Water Filter
- WF3 3000-gallon capacity Water Filter

Complies with the following standards:



Federal Public Law 111-380 (No Lead)



NSF/ANSI/CAN 61

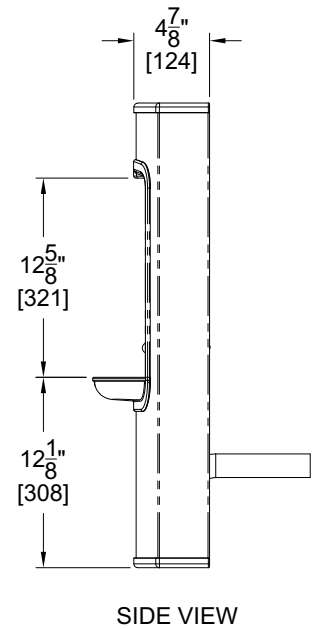
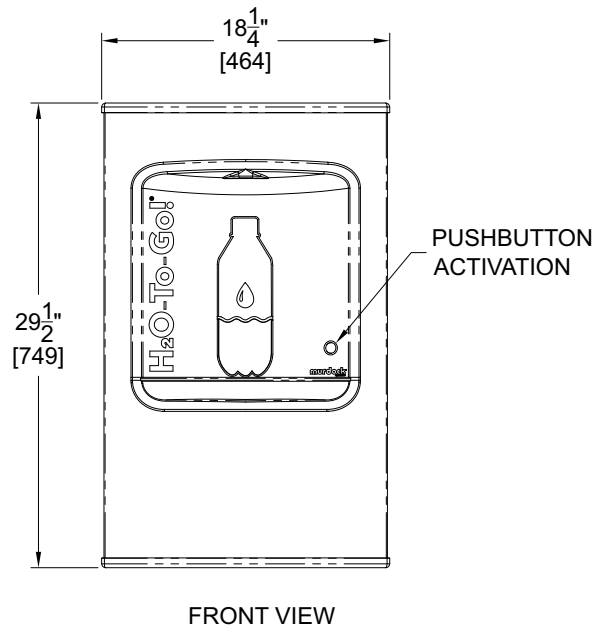
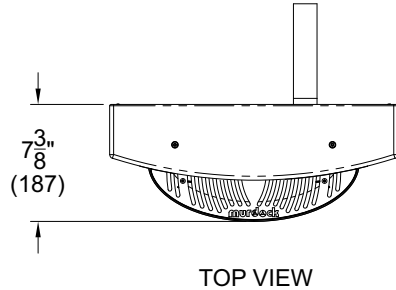
[Product Warranty](#)

⚠ WARNING: Cancer and Reproductive Harm - www.P65Warnings.ca.gov

MURDOCK MFG. • 15125 Proctor Avenue • City of Industry, CA 91746 USA
Phone 800-453-7465 or 626-333-2543 • www.murdockmfg.com

Member of
MORRIS GROUP
INTERNATIONAL

BF15 Series
SURFACE MOUNTED PUSHBUTTON
OPERATED BOTTLE FILLER



GENERAL NOTES:
1. ALL DIMENSIONS ARE IN INCHES (MM)

SELECTION SUMMARY
& APPROVAL FOR
MANUFACTURING

Model Number & Options _____	Quantity _____
Company _____	
Contact _____	Title _____
Signature (Approval for Manufacturing) _____	Date _____

All dimensions are subject to manufacturer's tolerance of plus or minus 1/4" nominal and subject to change without notice. Murdock[®] assumes no responsibility for use of void or superseded data. Dimensions may change with the addition of optional accessories. Murdock[®] Mfg., Member of Morris Group International[®]. Please visit www.murdockmfg.com for most current specifications.