

## BF2S Series

### MODEL: BF2S

HEAVY DUTY SENSOR OPERATED  
BOTTLE FILLER

#### STANDARD FEATURES

- Heavy Duty Stainless Steel Construction
- Hands Free Sensor Operation
- Lead Free
- 115v Plug-in Transformer
- Laminar Flow Water Supply
- 1 GPM Fill Rate (Min. Set Pressure 40 PSI)
- 100 mesh inlet strainer

#### SUGGESTED SPECIFICATIONS

Model BF2S is a 9 volt Sensor Operated Heavy Duty Bottle Filler designed to be used with an Murdock A171 Series Barrier-Free Water Cooler. When installed properly, the Bottle Filler complies with ADA forward reach requirements. Cabinet shall be heavy gauge stainless steel with exposed surfaces polished to a #4 satin finish. Unit shall be certified to Public Law 111-380 (NO-LEAD) and NSF/ANSI/CAN 61.



“INDOOR USE ONLY”

#### MODEL:

(Must Specify)

- BF2S Heavy Duty Sensor Operated Bottle Filler

#### OPTIONS

(additional costs may be incurred)

- BAT Battery Operated (N/A With Bottle Counter)
- BCD Bottle Counter Display
- WF1 1500 gallon capacity water filter <sup>1, 2</sup>

#### Options Notes:

<sup>1</sup> Water Filter is shipped loose for remote mounting or mounting within Water Cooler.

<sup>2</sup> Refer to Supplemental Sheet for additional information.

Complies with the following standards:



Federal Public Law 111-380 (No Lead)



NSF/ANSI/CAN 61



Recyclable Product



Water Conserving Product

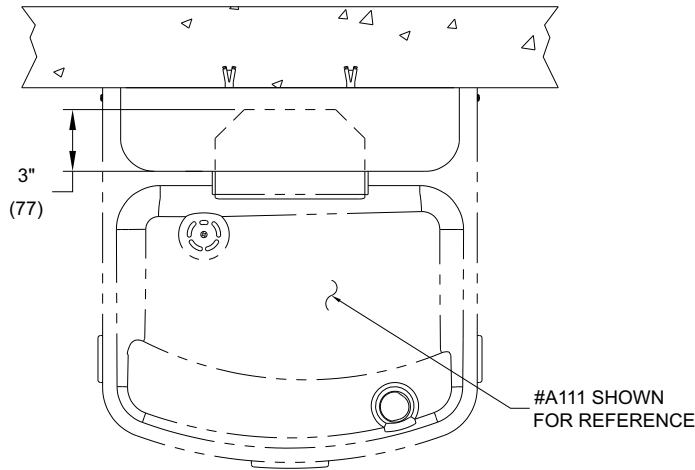
**Product Warranty**

**WARNING:** Cancer and Reproductive Harm - [www.P65Warnings.ca.gov](http://www.P65Warnings.ca.gov)

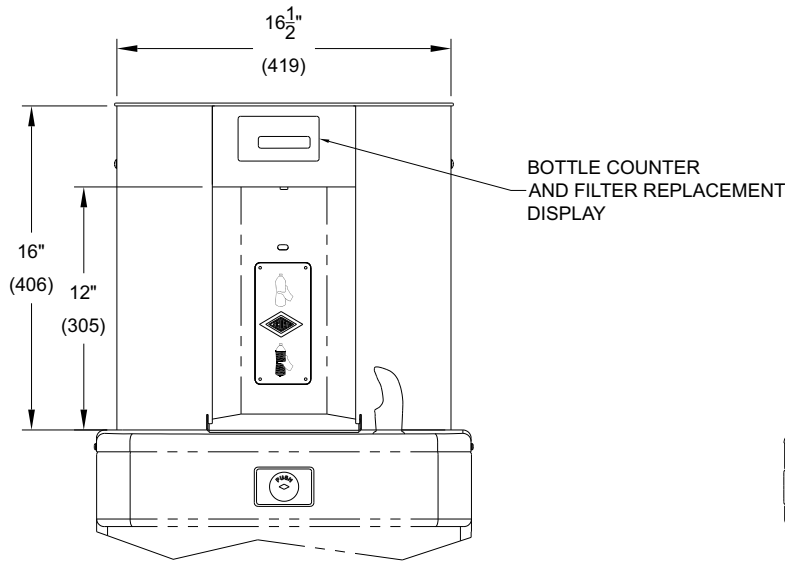
**MURDOCK MFG.** • 15125 Proctor Avenue • City of Industry, CA 91746 USA  
Phone 800-453-7465 or 626-333-2543 • [www.murdockmfg.com](http://www.murdockmfg.com)

Member of  
**MORRIS GROUP**  
INTERNATIONAL

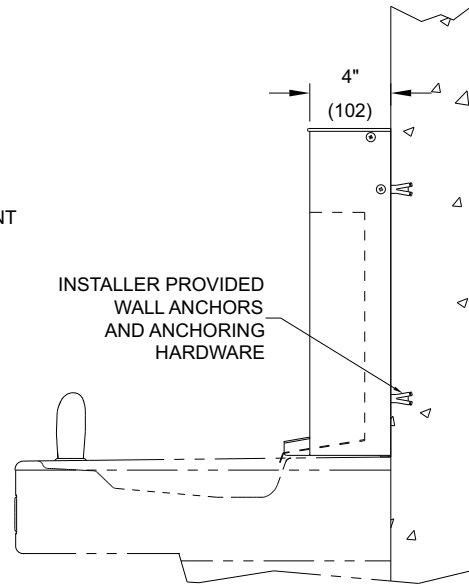
**BF2 Series**  
**MODEL A000000-BF2**  
HEAVY DUTY SENSOR OPERATED  
BOTTLE FILLER



TOP VIEW



FRONT VIEW



SIDE VIEW

GENERAL NOTES:  
1. ALL DIMENSIONS ARE IN INCHES (MM).

<b>SELECTION SUMMARY &amp; APPROVAL FOR MANUFACTURING</b>	Model Number & Options _____	Quantity _____	<p><i>All dimensions are subject to manufactures tolerance of plus or minus 1/4" nominal and subject to change without notice. Murdock® assumes no responsibility for use of void or superseded data. Dimensions may change with the addition of optional accessories. Murdock® Mfg., Member of Morris Group International®, Please visit <a href="http://www.murdockmfg.com">www.murdockmfg.com</a> for most current specifications.</i></p>
	Company _____		
	Contact _____	Title _____	
	Signature (Approval for Manufacturing) _____	Date _____	