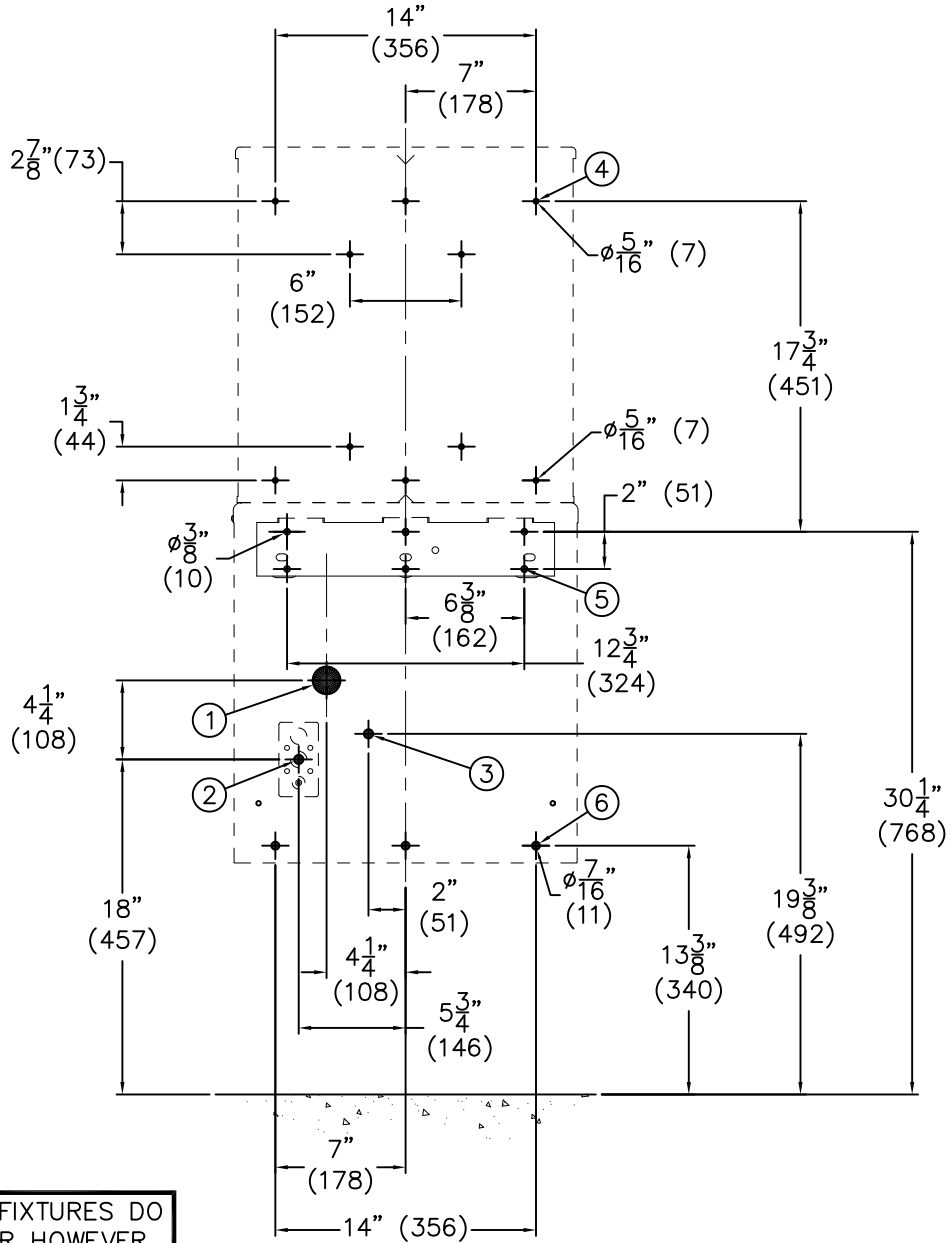




INSTALLATION INSTRUCTIONS



VIEW FROM FIXTURE SIDE

NOTE: BFEZ16 SERIES FIXTURES DO NOT INCLUDE A CHILLER HOWEVER ELECTRICAL SERVICE IS REQUIRED FOR THE BOTTLER FILLER UNLESS THE -BAT BATTERY PACK OPTION SELECTED.

POWER REQUIREMENTS:		
CHILLER	4.4A	120VAC
SENSOR	450MA	120VAC

ROUGHS

A- ROUGH-IN FOR:

① WASTE CONNECTION FOR FIXTURE 1-1/4" TAILPIECE PROVIDED. P-TRAP PROVIDED BY INSTALLER.

B- ② PROVIDE ELECTRICAL SERVICE FOR 9VDC INFRARED SENSOR/SOLENOID PLUG-IN TRANSFORMER PROVIDED.

C- ③ SUPPLY CONNECTION FOR FIXTURE 3/8" OD COPPER INLET. STOP PROVIDED BY THE INSTALLER.

D- PROVIDE APPROPRIATE WALL BACKING AT ④, ⑤ & ⑥ LOCATIONS INDICATED.

<p>MURDOCK-SUPER SECUR P.O. Box 3527 Industry, CA 91744 15125 Proctor Ave Industry, CA 91746 Phone: (800) 591-9880 www.murdock-supersecur.com</p>	<p>TITLE BFEZ16 & BFEZ168 SERIES ROUGH-INS</p>		
	<p>MANUFACTURE DATE</p> <p>SEPTEMBER 2020</p> <p>TO PRESENT</p>	<p>DATE ISSUED</p> <p>09/26/20</p> <p>DATE REVISED</p> <p>11/04/20</p>	<p>DRAWING NUMBER</p> <p>9938-501-001</p>