

BASE ROUGH-IN VIEW

INSTALLATION INSTRUCTIONS:

- A- PROVIDE 30" SQUARE MINIMUM x 6" DEEP MINIMUM CONCRETE SLAB BY OTHERS TO SECURELY ANCHOR FIXTURE. INSTALL THE FOUR PROVIDED CONCRETE ANCHORS ① AT DIMENSIONS SHOWN TO MATCH HOLES ② IN FIXTURE BASE.
- B- ROUGH-IN WASTE OUTLET ③ CENTERED AS SHOWN FOR 1-1/4" OUTER DIAMETER PLAIN END TAILPIECE ④.
- C- ROUGH-IN WATER SUPPLY ⑤ WITHIN 5" DIAMETER BOTTOM OPENING FOR CONNECTION TO VALVE USING THE SUPPLIED 6" LONG FLEX HOSE WITH 1/2" NPS FEMALE END WHICH WILL ACCOMODATE 1/2" NPT MALE ADAPTER.
- D- CAREFULLY REMOVE FIXTURE ⑥ AND COMPONENTS FROM THE PACKAGING PREVENTING SCRATCHING AND DAMAGE.
- E- REMOVE THE BACK ACCESS PANEL ⑦. ENSURE PUSHBUTTON, WASTE TAILPIECE ④ AND BUBBLER ⑧ ARE SECURE AND CHECK ALL TUBING CONNECTIONS TO MAKE SURE THEY DID NOT COME LOOSE IN SHIPMENT.

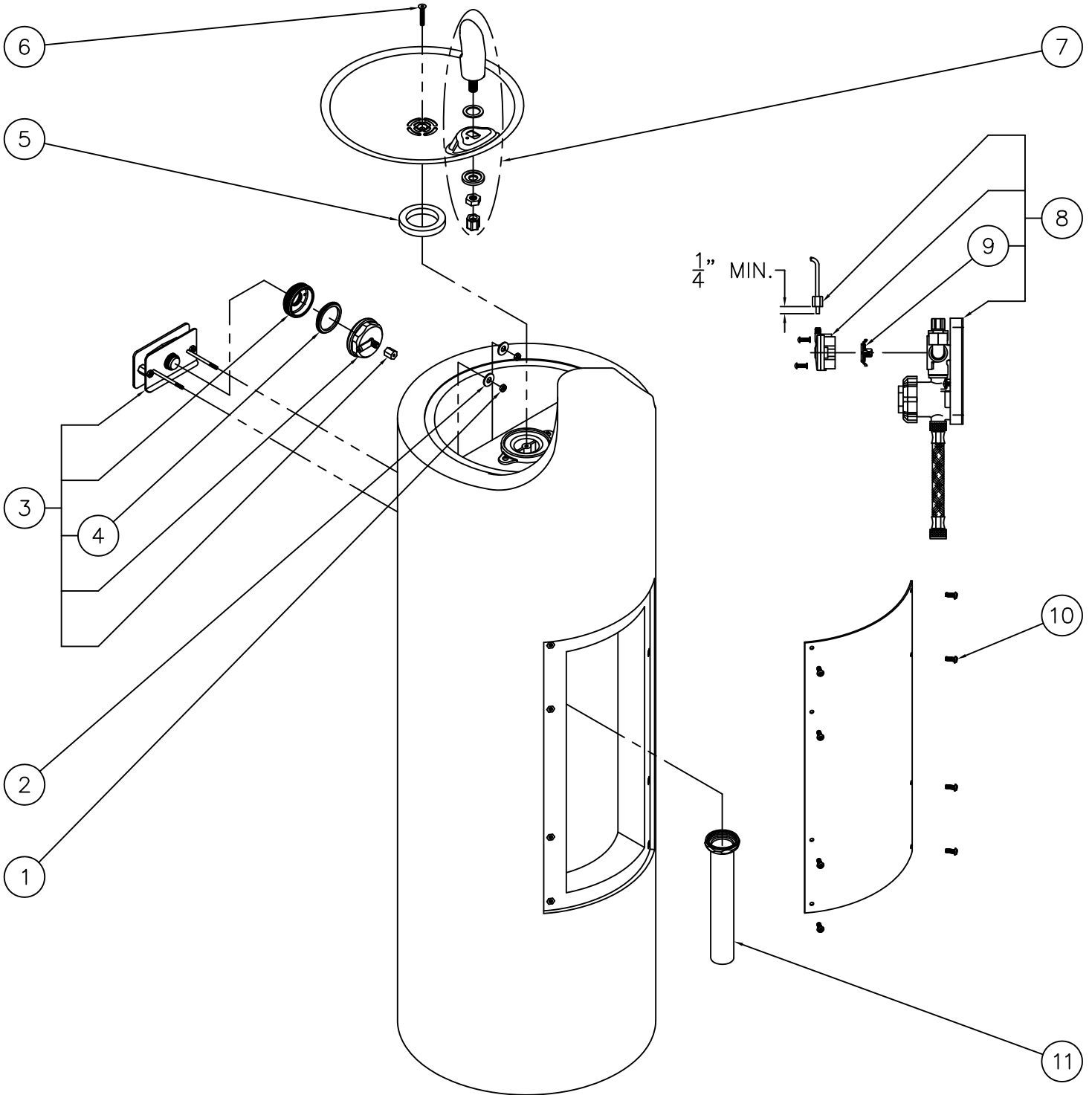
- F- SET FIXTURE IN PLACE ALIGNING BASE HOLES ② WITH THE INSTALLED ANCHORS ① AND SECURE WITH THE 1/2" UNC HARDWARE ⑨ PROVIDED.
- G- MAKE-UP 1-1/4" O.D. WASTE CONNECTION TO TAILPIECE ④.
- H- INSTALL AIR-CONTROL VALVE WITHIN PEDESTAL USING THE HARDWARE PROVIDED. CONNECT 1/4" O.D. TUBING COMING FROM 1/4 TURN VALVE AND 1/8" O.D. TUBING FROM PUSH-BUTTON TO VALVE. NOTE: ONLY HANDTIGHTEN FERRULE NUTS.
- I- FLUSH WATER SUPPLY ⑤ BY OTHERS OF ALL DEBRIS PRIOR TO CONNECTING TO VALVE.
- J- CONNECT WATER SUPPLY ⑤ BY OTHERS TO VALVE USING SUPPLIED 1/2" NPS FLEX HOSE.
- K- TEST OPERATION OF BUBBLER BY DEPRESSING PUSHBUTTON. ADJUST FLOW RATE AS REQUIRED USING IN-LINE 1/4 TURN VALVE. CHECK ALL CONNECTIONS AND WASTE PIPING FOR LEAKS. CORRECT IF PRESENT.
- L- RE-INSTALL BACK ACCESS PANEL ⑦.

<p>MURDOCK-SUPER SECUR P.O. Box 3527 Industry, CA 91744 15125 Proctor Ave Industry, CA 91746 Phone: (800) 591-9880 www.murdock-supersecur.com</p>	TITLE		ROUND OUTDOOR STONE PEDESTAL DRINKING FOUNTAIN	
	MANUFACTURE DATE		DATE ISSUED	DRAWING NUMBER
	JANUARY 2006 TO PRESENT		09/27/05	9938-200-001
		DATE REVISED		
		03/30/16		



INSTALLATION INSTRUCTIONS

DRINKING FOUNTAINS



1	0302-003-000	8/32" UNF STAINLESS STEEL HEX NUT	7	7000-012-001	STAINLESS STEEL BUBBLER
2	0331-020-000	STAINLESS STEEL WASHER	8	2590-612-001	S/T NON-METERING AIR-CONTROL VALVE
3	7031-160-001	STONE FOUNTAIN PUSHBUTTON ASSEMBLY	9	2563-010-001	WATER DIAPHRAGM ASSEMBLY
4	2566-001-000	PUSHBUTTON DIAPHRAGM	10	0112-002-000	CENTER REJECT ALLEN BUTTON HD SCREW
5	7000-006-000	FLAT DRAIN ADAPTER GASKET	11	7000-019-001	1-1/4" OUTER DIAMETER TAILPIECE
6	0152-040-000	CENTER REJECT ALLEN FLAT HEAD SCREW			
ITEM	PART NUMBER	DESCRIPTION	ITEM	PART NUMBER	DESCRIPTION



MURDOCK-SUPER SECUR
 P.O. Box 3527 Industry, CA 91744
 15125 Proctor Ave Industry, CA 91746
 Phone: (800) 591-9880
 www.murdock-supersecur.com

TITLE ROUND OUTDOOR STONE PEDESTAL DRINKING FOUNTAIN

MANUFACTURE DATE
JANUARY 2006
TO PRESENT

DATE ISSUED
11/16/05
 DATE REVISED
03/30/16

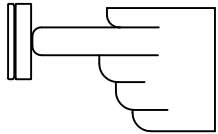


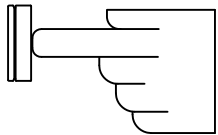

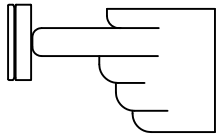

DRAWING NUMBER
9938-200-500



**PUSH PAD / PUSH BUTTON FRU FREEZE RESISTANT DRINKING FOUNTAINS
NON-METERING AIR-CONTROLLED VALVE - (DIRECT ACTING)**

CONDITION:

SOLUTION:

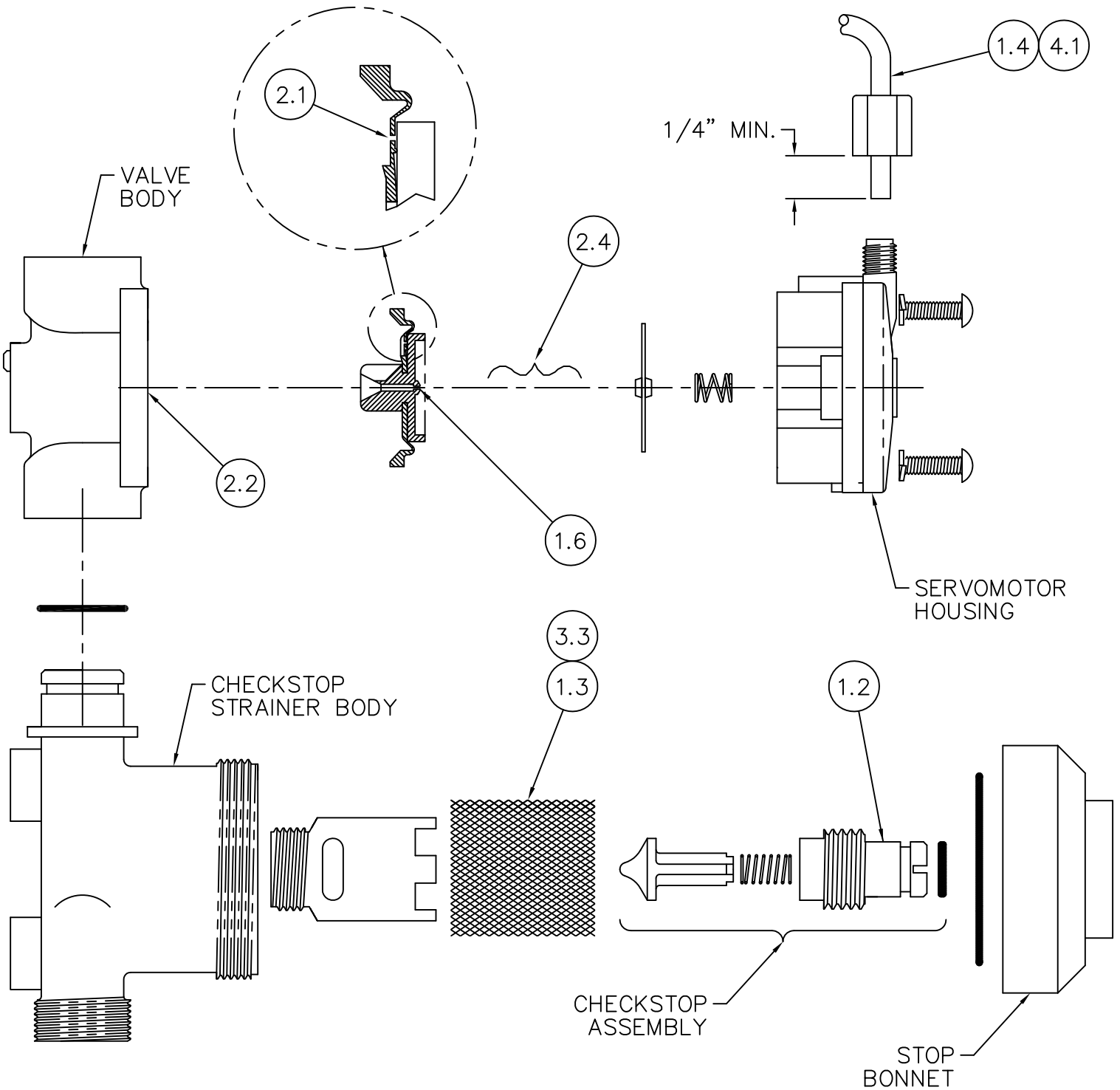
<p>NO WATER FLOW:</p>  	<ol style="list-style-type: none"> 1.1 Check water main supply – open. 1.2 Inspect checkstops – open. 1.3 Inspect checkstop strainer for debris – clean. 1.4 Check 1/8” O.D. tubing and fittings for leaks. 1.5 Check pushbutton air diaphragm for holes. 1.6 Check servomotor diaphragm center hole for blockage.
<p>WATER DRIPS / WILL NOT SHUT OFF:</p> 	<ol style="list-style-type: none"> 2.1 Check servomotor diaphragm offset hole for debris. 2.2 Check servomotor seat for build-up or damage. 2.3 Check servomotor seat o-ring for damage. 2.4 Check servomotor plate and diaphragm for obstruction.
<p>REDUCED WATER FLOW:</p>  	<ol style="list-style-type: none"> 3.1 Check water main supply for 20 psig minimum flow pressure. 3.2 Check valve riser tubing for crimping. 3.3 Inspect checkstop strainer for debris – clean. 3.4 Check valve flow control for blockage – clean. 3.5 Inspect bubbler for debris – clean.
<p>PREMATURE WATER SHUTOFF:</p>  	<ol style="list-style-type: none"> 4.1 Check 1/8” O.D. tubing and fittings for leaks. 4.2 Check pushbutton air diaphragm for holes.

Refer to Air-Controlled Valve Maintenance Detail on drawing # 9940-203-001 for -FRA_ Above Ground units and on drawing # 9940-204-001 for Stone & -FRU_ Below Ground units to locate solutions above.

	<p>MURDOCK-SUPER SECUR P.O. Box 3527 Industry, CA 91744 15125 Proctor Ave Industry, CA 91746 Phone: (800) 591-9880 www.murdock-supersecur.com</p>	<p>FRU FREEZE RESISTANT FOUNTAIN VALVE MAINTENANCE INSTRUCTIONS</p>		
<p>TITLE JANUARY 2006 TO PRESENT</p>		<p>MANUFACTURE DATE 10/20/05</p>	<p>DATE ISSUED 10/20/05</p> <p>DRAWING NUMBER 9940-202-001</p>	
		<p>DATE REVISED 03/15/16</p>		



**PUSH PAD / PUSH BUTTON BELOW GROUND FREEZE RESISTANT DRINKING FOUNTAINS
NON-METERING AIR-CONTROLLED VALVE - (DIRECT ACTING)**



CHECKSTOP STRAINER - SERVOMOTOR DETAIL

Refer to drawing #9940-202-001 for Valve Maintenance Instructions numbered solutions detailed above.

<p>MURDOCK-SUPER SECUR P.O. Box 3527 Industry, CA 91744 15125 Proctor Ave Industry, CA 91746 Phone: (800) 591-9880 www.murdock-supersecur.com</p>	<p>TITLE NON-METERING FRU AIR-CONTROLLED VALVE MAINTENANCE INSTRUCTIONS</p>		
	<p>MANUFACTURE DATE JANUARY 2006 TO PRESENT</p>	<p>DATE ISSUED 12/07/05</p> <p>DATE REVISED 03/15/16</p>	<p>DRAWING NUMBER 9940-204-001</p>