

Wash-N-Go![™]

MODEL GWJ84 SERIES

**BARRIER FREE, PEDESTAL MOUNTED
HAND WASHING STATION**

STANDARD FEATURES

- ADA Compliant (when properly installed)
- Resistant to sunlight, heat, moisture and wear
- 16 gage, type 304 stainless steel bowl
- 12 gage, heavy duty stainless steel, corrosion and scratch resistant finish
- Hands Free Sensor Faucet
- 100 mesh inlet strainer
- Access door, heavy duty stainless steel, vandal resistant
- Vandal resistant stainless steel bottom plate

SUGGESTED SPECIFICATIONS

Model GWJ84 series barrier free pedestal mounted, vandal resistant round Hand Washing Station made from 16 gage type 304 stainless steel bowl mounted into a 12 gage, heavy duty stainless steel support arm with powder coated or stainless steel finish. Unit shall be activated by a 9 Volt DC Hands Free Sensor Operated Battery Faucet with 0.5 GPM Laminar flow outlet to minimize splash. Hand wash to comply with ANSI A117.1, Public Law 111-380 (NO-LEAD), CHSC 116875. Fixture to meet ADA requirements.

MODEL:

(Must Specify)

- GWJ84 Satin stainless finish
- GWJ85 Green powder-coated (Shown)
- GWJ86 Red powder-coated
- GWJ87 Blue powder-coated

Custom color finishes available upon request.



Model GWJ85-SO-BAT Shown

OPERATION:

(Must Specify)

- SO-BAT Sensor operation, Battery powered faucet

OPTIONS AND ACCESSORIES:

(additional costs may be incurred)

- GW000-PS Pump Soap Dispenser ²
- CH31 Child height, 31" Rim height
- FS Foot shower ¹
- HB1 Hose bibb, compression, hose threaded outlet/VB ¹
- HB2 Hose bibb, loose key, hose threaded outlet / VB ¹
- HB3 Hose bibb, loose key, vandal resistant, with hose threaded outlet and vacuum breaker ¹
- IAP In-ground anchor plate ¹
- IGM In-ground 14" mounting
- JF1 Jug filler, spigot, self-closing valve, plain end ¹
- JF2 Jug filler, pushbutton, self-closing valve, plain end ¹
- LOGO Customer specified logo
- PF Pet fountain receptor ¹

Contact factory for information on freeze resistant models.

Option Details

¹ See separate options sheet for details.

² Side Mounted "Urn Style" with Mounting Bracket and Hardware. Non-ADA Compliant

Complies with the following standards:



Member of U.S. Green Building Council



Recyclable Product



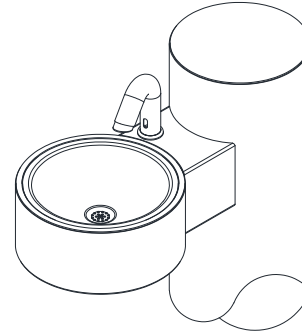
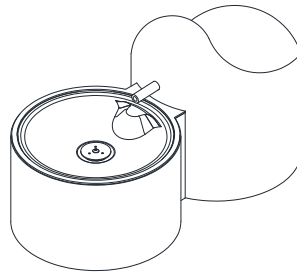
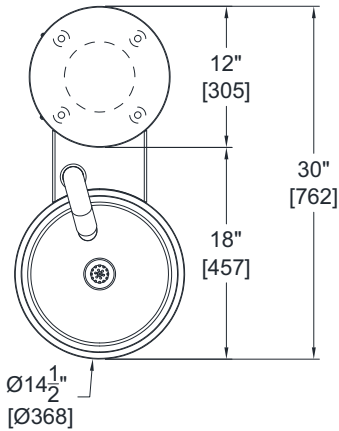
Water Conserving Product

⚠ WARNING: Cancer and Reproductive Harm - www.P65Warnings.ca.gov

* Valve specifications:
Minimum/Maximum Pressure
30 to 100 psi.

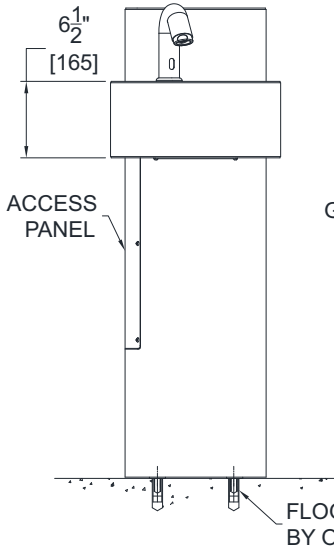
Wash-N-Go![™]
MODEL GWJ84 SERIES

PEDESTAL HAND WASHING STATION



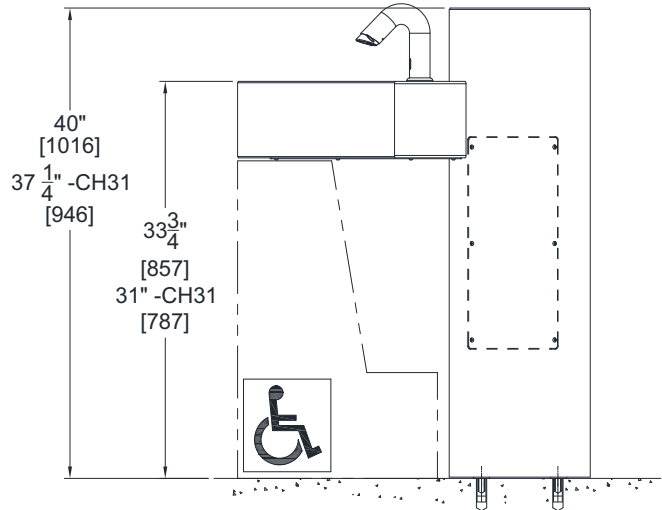
GWJ84-SO

**OPTIONAL -PF PET
FOUNTAIN
DETAIL**



GENERAL NOTES:

1. ALL DIMENSIONS ARE IN INCHES [mm]
2. DIMENSIONS SHOWN ARE FOR RECOMMENDED ADULT HEIGHT. ADJUST VERTICAL DIMENSIONS AS NECESSARY TO COMPLY WITH FEDERAL, STATE & LOCAL CODES.



Murdock Mfg.[™] warrants that its products are free from defects in material or workmanship under normal use and service for a period of one year from date of shipment. Murdock's liability under this warranty shall be discharged solely by replacement or repair of defective material, provided Murdock[™] is notified in writing within one year from date of shipment, F.O.B. Industry, California.

SELECTION SUMMARY & APPROVAL FOR MANUFACTURING	Model Number & Options _____	Quantity _____	All dimensions are subject to manufactures tolerance of plus or minus 1/2" nominal and subject to change without notice. Murdock assumes no responsibility for use of void or superseded data. Dimensions may change with the addition of optional accessories. Murdock Mfg. [™] , Member of Morris Group International [™] . Please visit www.murdockmfg.com for most current specifications.
	Company _____		
	Contact _____	Title _____	
	Signature (Approval for Manufacturing) _____	Date _____	