

OPTION -WF3

LEAD/CYST REDUCTION
WATER FILTER

STANDARD FEATURES

- Lead, Chlorine and Cyst Reduction Filter
- 3000 gallon capacity
- Assembly head with quick-connect inlet/outlet
- Valve head with auto shutoff feature for replacement
- Flow rate of 1.0 GPM
- NSF 42+53 Certified,* Lead Reduction to 1 Micron

* Certification to NSF is through a third party filter manufacturer.

SUGGESTED SPECIFICATIONS

Model WF3 is a chlorine, lead and cyst reduction water filter that can be used with drinking fountains and water coolers. The filter is for cold water use only and operates at temperatures of 40°F - 100°F [4°C - 38°C]. Operating pressure is not to exceed 125 PSIG. Capacity is 3000 gallons with a flow rate of 1.0 GPM [3.8 LPM]. Filter shall adhere to NSF 42+53 with lead reduction to one (1) micron.

NOTE: Due to limits in space available within fixture, certain Bottle Filler models will receive quantity (2) WF1 Series, 1500 Gallon Filters to provide desired capacity. Applies (but not limited) to models: BF15, BF16.

NOTE:

The filters are certified by NSF to NSF 42 and NSF 53 Standards. Properly installed and maintained, these approvals cover a reduction in lead, E. coli, and cryptosporidium.

The link to the Lead Free IAPMO R&T Product Listing File #6039 is:

<https://plm.iapmo.org/pld#/certificate/6039/344>



MODEL:

(Must Specify)

- WF3 Water Filter - Capacity 3000 Gallons

NSF/ANSI 61



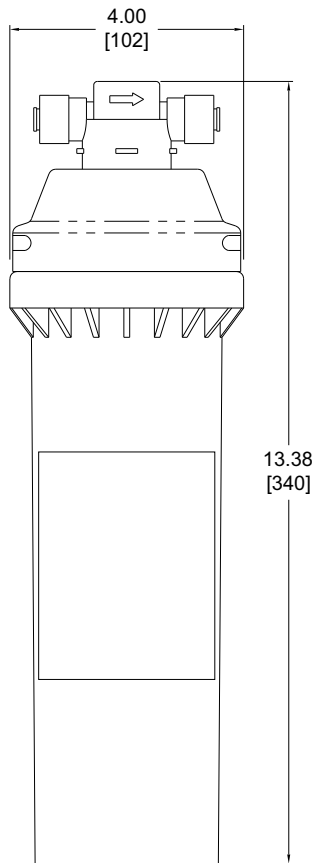
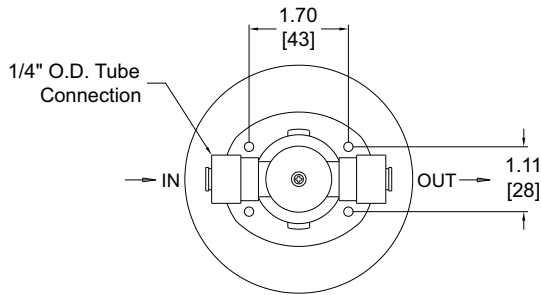
Federal
Public Law
111-380
(No Lead)

⚠ WARNING: Cancer and Reproductive Harm - www.P65Warnings.ca.gov

MURDOCK MFG. • 15125 Proctor Avenue • City of Industry, CA 91746 USA
Phone 800-453-7465 or 626-333-2543 • www.murdockmfg.com

Member of
MORRIS GROUP
INTERNATIONAL

OPTION -WF3
LEAD/CYST REDUCTION
WATER FILTER



- GENERAL NOTES:**
1. MOUNTING HARDWARE VARIES BY PRODUCT.
 2. BRACKET(S) AND SCREWS SUPPLIED WITH PRODUCT.
 3. ALL DIMENSIONS ARE IN INCHES [MM].

Details below are provided by Third Party Filter Manufacturer.
Information is deemed reliable however, subject to change without notice.

Standard 42 Aesthetic Effects/Standard 53 Health Effects						
Parameter	US EPA MCL	Influent Challenge	Effluent Average	Effluent Maximum	Percent Reduction Average	Percent Reduction Minimum
Chlorine	-	2.0 mg/L	0.03 mg/L	0.06 mg/L	98.5	97
Cyst	99.95% Reduction	111,750 Particles/ml	1 particle/ml	2 particles/ml	99.99%	99.99
Lead pH 8.5	15 ug/L	135 ug/L	5.5 ug/L	13 ug/L	95.9%	90
Lead pH 6.5	15 ug/L	149 ppb	1 ug/L	1 ug/L	99%	99

¹Tested using flow rate = 0.5 gpm; pressure = 60 psig; pH = 8.5 and 6.5; temp. = 20 ± 2.5° C

